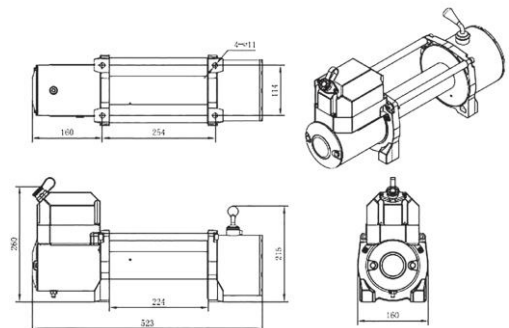




# Superwinch LP8500

<b>Model</b>	<b>8500</b>
<b>Part Number</b>	LP8500-12V
<b>Voltage</b>	12 VDC
<b>Rated Pull lbs (kg)</b>	8500 (3856)
<b>Motor hp (kW)</b>	4.5 (303)
<b>Gearing</b>	3-Stage Planetary
<b>Gear Ratio</b>	235:1
<b>Solenoid</b>	Sealed Solenoid With Circuit Breaker
<b>Freespool</b>	Ergonomic Pull and Turn
<b>Brake</b>	Automatic/Load Holding
<b>Rope Length (m)</b>	29
<b>Rope Dia (mm)</b>	7.9
<b>Hook</b>	Heavy Duty/Clevis Pinned/Latched
<b>Fairlead/Hawse</b>	Steel Hawse
<b>Remote Control</b>	3.6m' Rubber Handheld
<b>Weight Installed kg</b>	33.11
<b>Weight</b>	40.83
<b>Warranty</b>	Limited 2-Year Warranty



Brand distributed by

