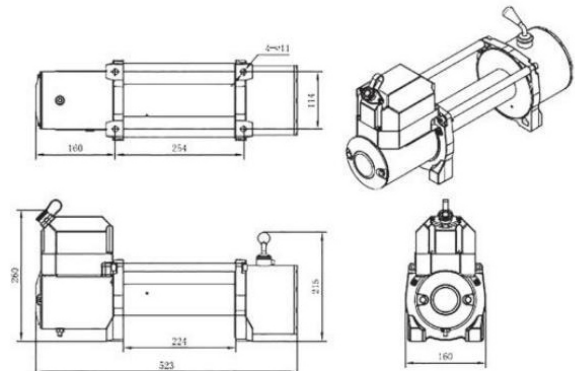




Superwinch LP10000

Model	10000
Part Number	LP10000-12V
Voltage	12 VDC
Rated Pull lbs (kg)	10000 (4536)
Motor hp (kW)	5.1 (3.8)
Gearing	3-Stage Planetary
Gear Ratio	235:1
Solenoid	Sealed Solenoid With Circuit Breaker
Freespool	Lever Shift
Brake	Automatic/Load Holding
Rope Length (m)	26
Rope Dia (mm)	9.5
Hook	Heavy Duty/Clevis Pinned/Latched
Fairlead/Hawse	Roller Fairlead
Remote Control	3.6m' Rubber Handheld
Weight Installed kg	37.64
Weight	40.83
Warranty	Limited 2-Year Warranty

Mounting Bolt Patter: 254mm x 114.3mm



Brand distributed by



BLACK DIAMOND VEHICLE COMPONENTS